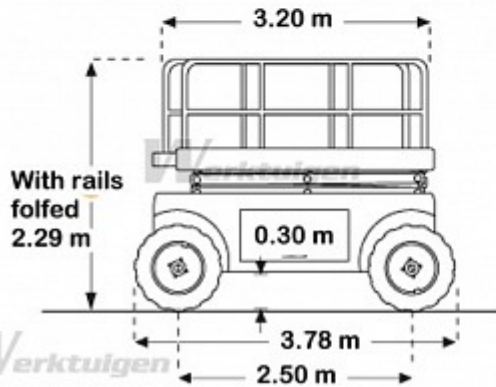
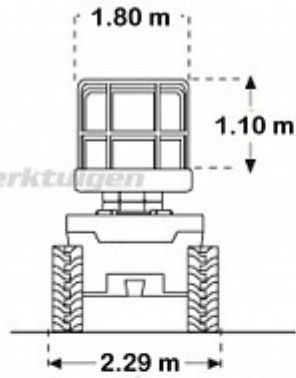
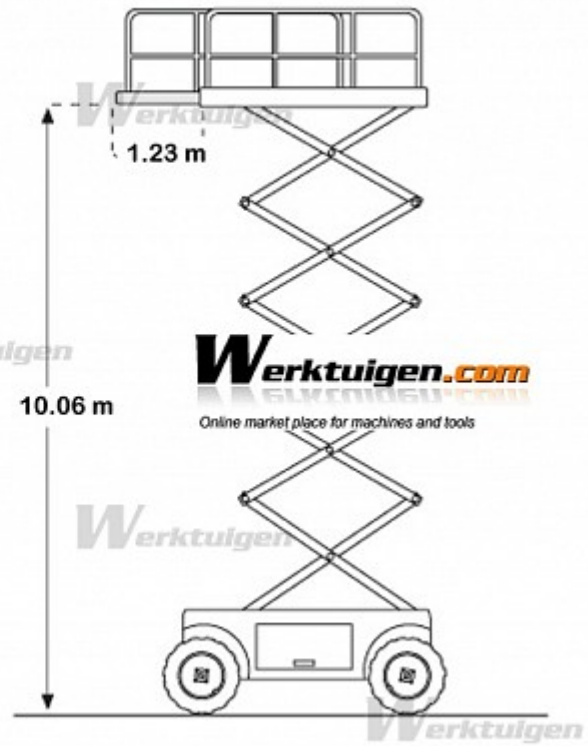


Werktuigen
JLG

33 RTS



Werktuigen



JLG 33RTS Specifications

Technical specifications:

	33RTS
Max. working height	12.06m
Max. platform height	10.06m
Platform height (lowered)	1.52m
Platform Railing Height	1.10m
Stowed height (Rails Folded)	2.29m
Platform Dimensions	1.80m x 3.20m
_ Platform Extension	1.23m
Overall Machine Length	3.78m
Overall Machine Width	2.29m
Overall Width with optional tyres	2.31m
Wheelbase	2.50m
Ground clearance	0.30m
Tire Size/Type	12 x 16.5 Loader Lug Foam Filled

Performance:

Platform capacity	680Kg
Capacity with optional deck extention	565Kg
Capacity on optional deck extention	165Kg
Maximum Drive height	8.00m
Drive speed - 2 Wheel drive	5.6Km/h
Drive speed - 4 Wheel drive (optional)	4.5Km/h
Gradeability 2 Wheel drive	35%
Gradeability 4 Wheel drive	45%
Inside turning radius 2 Wheel steer	3.81m
Inside turning radius 4 Wheel steer	1.68m
Outside turning radius 2 Wheel steer	5.51m
Outside turning radius 4 Wheel steer	3.43m
Lift speed - raise/lower	60/35 sec
Hydraulic reservoir	75.7Ltr

Power:

Power source	Diesel 20Kw / 2800Rpm
Enige fuel tank	56.8Ltr

Weight:

Gross Weight:	4.170Kg
---------------	---------